

Since 1910

5-Year Warranty

# DANUSER INDUSTRIAL GROUP

*The machine you know. The name you trust.*

500 E. Third Street  
P.O. Box 368  
Fulton, MO 65251

TEL: (573) 642-2246  
FAX: (573) 642-2240  
E-MAIL: sales@danuser.com

[www.danuser.com](http://www.danuser.com)



## MOUNTS AVAILABLE FOR

Skid-Steers, Mini Skid-Steers, Backhoes,  
Excavators, Mini-Excavators,  
Tractor Loaders, Telescopic Handlers,  
Articulated Loaders, & Integrated Tool Carriers



- ◆ Danuser is the leader with over 60 years of earth auger design and manufacturing.
- ◆ Drive Units are welded robotically to insure higher quality and uniform welds.
- ◆ All Drive Units are backed by a **5-year warranty** - the industry's best warranty with American components.
- ◆ Danuser, Eaton, and Auburn - the winning combination.

DIG



WITH



**DANUSER**

- ◆ Family-Owned, 4<sup>th</sup> Generation

**Contact Danuser for all your Earth Auger needs!**

# DANUSER DRIVE UNITS

	MODELS 615, MS-615, & MD-615			MODELS 1025, MS-1025, & MD-1025			MODELS 1530, MS-1530, & MD-1530			MODEL 2035					
PSI →	2000	2500	3000	2000	2500	3000	2000	2500	3000	2000	2500	3000	PSI ←		
GPM ↓	SPEED			SPEED			SPEED			SPEED			GPM ↓		
	TORQUE (ft.-lbs.)			TORQUE (ft.-lbs.)			TORQUE (ft.-lbs.)			TORQUE (ft.-lbs.)					
6	35 RPM												6		
	1039	1299	1558												
8	47 RPM												8		
	1039	1299	1558												
10	59 RPM			38 RPM									10		
	1039	1299	1558	1613	2016	2419									
12	71 RPM			46 RPM									12		
	1039	1299	1558	1613	2016	2419									
14	83 RPM			53 RPM									14		
	1039	1299	1558	1613	2016	2419									
15	88 RPM			57 RPM			45 RPM						15		
	1039	1299	1558	1613	2016	2419	2024	2530	3036						
18				68 RPM			54 RPM						18		
				1613	2016	2419	2024	2530	3036						
20				76 RPM			61 RPM			47 RPM			20		
				1613	2016	2419	2024	2530	3036	2597	3247	3896			
25				95 RPM			76 RPM			59 RPM			25		
				1613	2016	2419	2024	2530	3036	2597	3247	3896			
30							91 RPM			71 RPM			30		
							2024	2530	3036	2597	3247	3896			
35										83 RPM			35		
										2597	3247	3896			
Max. Auger Diameter: 24"				Max. Auger Diameter: 30"				Max. Auger Diameter: 36"				Max. Auger Diameter: 36"			
Hyd. Flow: 6 - 15 GPM				Hyd. Flow: 10 - 25 GPM				Hyd. Flow: 15 - 30 GPM				Hyd. Flow: 20 - 35 GPM			
Max. Hyd. PSI: 3000				Max. Hyd. PSI: 3000				Max. Hyd. PSI: 3000				Max. Hyd. PSI: 3000			
Max. Hyd. Back PSI: 1500				Max. Hyd. Back PSI: 1500				Max. Hyd. Back PSI: 1500				Max. Hyd. Back PSI: 1500			
2-9/16" RD. OR 2" HEX				2-9/16" RD. OR 2" HEX				2-9/16" RD. OR 2" HEX				2-9/16" RD. OR 2" HEX			

Red shaded areas indicate recommended operating ranges.

## ALL DRIVE UNITS BACKED BY 5-YEAR WARRANTY

### MOUNTS AVAILABLE FOR

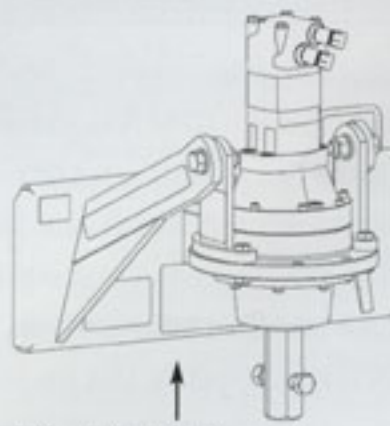
Skid-Steers, Mini Skid-Steers, Backhoes, Excavators, Mini-Excavators,  
Tractor Loaders, Telescopic Handlers, Articulated Loaders, & Integrated Tool Carriers

Output speed and torque specifications are based on theoretical values and are provided for comparative purposes only.

# DANUSER DRIVE UNITS

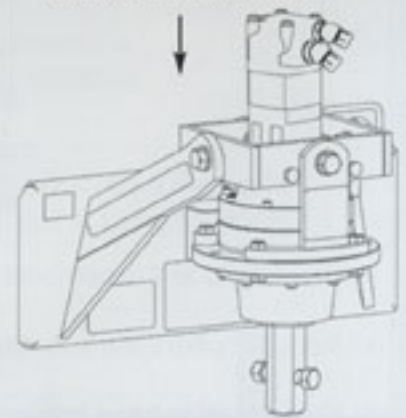


- 1 = Reinforcing rib on housing for added strength
- 2 = 9 Grade 5 bolts connect planetary to housing for added strength



MS = Mini Skid-Steer with Single Swivel  
Drive unit swivels front-to-back.

MD = Mini Skid-Steer with Double Swivel  
Drive unit swivels side-to-side as well as front-to-back.



## HIGH-PRESSURE DRIVE UNITS

	MODEL 2545			MODEL 3060			MODEL HP-2545			MODEL HP-3060			PSI ←
	PSI →	2000	2500	3000	2000	2500	3000	3500	4500	5000	3500	4500	
GPM ↓	SPEED			SPEED			SPEED			SPEED			GPM ↓
	TORQUE (ft.-lbs.)			TORQUE (ft.-lbs.)			TORQUE (ft.-lbs.)			TORQUE (ft.-lbs.)			
25	56 RPM						56 RPM						25
	2727	3409	4090				4772	6136	6817				
30	67 RPM			52 RPM			67 RPM			52 RPM			30
	2727	3409	4090	3503	4379	5255	4772	6136	6817	6131	7883	8759	
35	79 RPM			61 RPM			79 RPM			61 RPM			35
	2727	3409	4090	3503	4379	5255	4772	6136	6817	6131	7883	8759	
40	90 RPM			70 RPM			90 RPM			70 RPM			40
	2727	3409	4090	3503	4379	5255	4772	6136	6817	6131	7883	8759	
45	101 RPM			79 RPM			101 RPM			79 RPM			45
	2727	3409	4090	3503	4379	5255	4772	6136	6817	6131	7883	8759	
50				87 RPM						87 RPM			50
				3503	4379	5255				6131	7883	8759	
55				96 RPM						96 RPM			55
				3503	4379	5255				6131	7883	8759	
60				105 RPM						105 RPM			60
				3503	4379	5255				6131	7883	8759	
	Max. Auger Diameter: 48"			Max. Auger Diameter: 48"			Max. Auger Diameter: 48"			Max. Auger Diameter: 48"			
	Hyd. Flow: 25 - 45 GPM			Hyd. Flow: 30 - 60 GPM			Hyd. Flow: 25 - 45 GPM			Hyd. Flow: 30 - 60 GPM			
	Max. Hyd. PSI: 3000			Max. Hyd. PSI: 3000			Max. Hyd. PSI: 5000			Max. Hyd. PSI: 5000			
	Max. Hyd. Back PSI: 400			Max. Hyd. Back PSI: 400			Max. Hyd. Back PSI: 400			Max. Hyd. Back PSI: 400			
	2" HEX			2" HEX			2" HEX			2" HEX			
	NO DRAIN LINE REQ'D			NO DRAIN LINE REQ'D			NO DRAIN LINE REQ'D			NO DRAIN LINE REQ'D			

# THE DANUSER DIFFERENCE

- Danuser Drive Units are logically named:
  - Model Name = GPM Requirements Range
  - H at the end = Hex Output (2")
  - R at the end = Round Output (2-9/16")
  - MS- = Mini Skid-Steer Unit with Single Swivel Mount
  - MD- = Mini Skid-Steer Unit with Double Swivel Mount
  - HP- = High Pressure Unit (up to 5000 PSI)
- Drive units are assembled to skid-steer quick attach plates for easier shipping and final assembly.
- Danuser offers the industry's best warranty with American components - 5 years.
- Eaton motors have greater startup torque and greater efficiency compared to other motors in the industry.
- Auburn gearboxes utilize a bearing nut for greater output retention compared to a snap ring.
- We are *the machine you know and the name you trust*. Call us direct at (573) 642-2246 or visit our website at [www.danuser.com](http://www.danuser.com).

## MOUNT OPTIONS

Skid-Steers, Mini Skid-Steers, Backhoes, Excavators, Mini-Excavators,  
Tractor Loaders, Telescopic Handlers, Articulated Loaders, & Integrated Tool Carriers



Bolt-on Bucket Kit

TLB & Excavator Knuckle



Call Danuser for your custom mount needs.



Skid-Steer Quick Attach Plate

Mini-Excavator Knuckle



# DANUSER AUGERS

Dia.	No. of Teeth	Approx. Wt. (lbs.)
4"	0	37
6"	2	44
8"	2	76
9"	3	85
10"	3	100
12"	4	113
15"	5	132
16"	5	136
18"	6	168
20"	6	182
24"	8	210
30"	9	278
36"	11	372



## "FAB" AUGERS *Light to Moderate Ground Conditions*

- Fabricated Boring Head
- Hardened Bolt-On Teeth - Standard Includes Gage Teeth in Outside Positions Wisdom Teeth in Inside Positions
- Hardened Fishtail Point
- Heavy-Duty Double Flighting
- 2" Hex, 2-9/16" Rd., and 2" Rd. Collars Available
- 4' Standard Length - 3', 5', and 6' Lengths Priced Upon Request

## "TREE" AUGERS *Tree and Shrub Planting*



Dia.	No. of Teeth	Approx. Wt. (lbs.)
18" - 9"	7	129
24" - 12"	10	186
30" - 15"	11	230
36" - 18"	13	305

- Two-Diameter Design
- Fabricated Boring Head
- Hardened Bolt-On Teeth - Standard Includes Gage Teeth in Outside Positions Wisdom Teeth in Inside Positions
- Hardened Fishtail Point
- Heavy-Duty Double Flighting
- 2" Hex, 2-9/16" Rd., and 2" Rd. Collars Available
- 4' Standard Length

Dia.	No. of Teeth	Approx. Wt. (lbs.)
6"	2	45
8"	4	90
9"	4	98
10"	4	113
12"	4	128
15"	6	139
16"	6	167
18"	6	204
20"	6	231
24"	8	272
30"	10	312
36"	12	430
42"	16	460
48"	18	550



## "CAST" AUGERS *Difficult Ground Conditions - Fracturable Rock, Asphalt, Frozen Ground, Heavy Clay, and Compacted Soils*

- Cast Steel Boring Head
- Hardened Drive-In Teeth - Standard Includes Gage Teeth in Outside Positions Chisel Teeth in Inside Positions
- Hardened Fishtail Point
- Heavy-Duty Double Flighting
- 2" Hex, 2-9/16" Rd., and 2" Rd. Collars Available
- 4' Standard Length - 3', 5', and 6' Lengths Priced Upon Request

### FISHTAIL POINTS



Dirt=D Hardfaced=HF Carbide=C

### TEETH



# DANUSER ROCK AUGERS

## "BULLET" ROCK AUGERS

*Solid Rock, Concrete, Fracturable Rock, Asphalt,  
Frozen Ground, and Compacted Soils*



- Cast Steel Tooth Pockets
- Drive-In Carbide Bullet Teeth
- Heavy-Duty Double Flighting
- 3/4" Thick Boring Head
- 2" Hex, 2-9/16" Rd., and 2" Rd. Collars Available
- 4' Standard Length



Dia.	No. of Teeth	Approx. Wt. (lbs.)
4.5"	4	70
6"	6	66
7"	8	80
8"	8	87
9"	8	102
10"	10	105
12"	12	134
14"	14	160
16"	16	203
18"	18	201
24"	22	291
30"	24	340
36"	30	395

NOTE: As with all rock augers, performance depends upon down force applied to the auger.

*We're on the web! [www.danuser.com](http://www.danuser.com)*

# DANUSER AUGER ADAPTERS

- Connect Danuser Drive Units to other augers or Danuser Augers to other drive units.
- Special Adapters Priced Upon Request



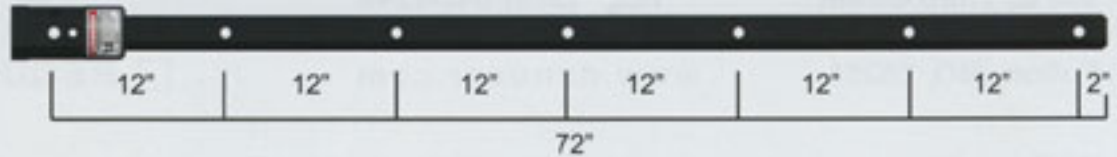
Drive Unit		Auger Collar
2" Hex	to	2-9/16" Round
2" Hex	to	2" Round
2-9/16" Round	to	2" Hex
2-9/16" Round	to	2" Round
2" Round	to	2" Hex
2" Round	to	2-9/16" Round

# DANUSER AUGER EXTENSIONS

## DESCRIPTION

2" Hex
24" Long Variable
48" Long Variable
72" Long Variable
2-9/16" Round
12" Long Variable
24" Long Variable
48" Long Variable
72" Long Variable
2" Round
24" Long Variable
48" Long Variable
72" Long Variable

## VARIABLE



- Variable length auger extensions store inside the column of 10" diameter or larger augers. Extension increments are every 6" on 12" and 24" auger extensions and every 12" on 48" and 72" auger extensions.
- 2" Hex, 2-9/16" Rd., and 2" Rd. Collars Available
- Special Auger Extensions Priced Upon Request

## DESCRIPTION

2" Hex
12" Long Fixed
24" Long Fixed
48" Long Fixed
72" Long Fixed
2-9/16" Round
12" Long Fixed
24" Long Fixed
48" Long Fixed
72" Long Fixed
2" Round
24" Long Fixed
48" Long Fixed
72" Long Fixed

## FIXED



- Fixed length auger extensions extend the auger's digging depth by the length of the extension.
- 2" Hex, 2-9/16" Rd., and 2" Rd. Collars Available
- Special Auger Extensions Priced Upon Request

# HOSES & COUPLERS



- Hoses are 96" long with abrasion sleeves.
- Available with or without ISO flat face couplers
- 1/2" or 3/4" diameter hoses
- Hoses for Models 2545, 3060, HP-2545, and HP-3060 should be obtained through your dealer.



*Danuser reserves the right to make changes in design, specifications, and prices without notice and without incurring any obligation relating to such changes.*

Since 1910 **DANUSER INDUSTRIAL GROUP**

**5-Year Warranty**

*The machine you know. The name you trust.*

**FAX TO  
(573) 642-2240**

500 E. Third Street  
P.O. Box 368  
Fulton, MO 65251

TEL: (573) 642-2246  
sales@danuser.com  
www.danuser.com

ORDER

REQUEST FOR QUOTE

Bill To: \_\_\_\_\_

Ship To: \_\_\_\_\_

Contact: \_\_\_\_\_

Contact: \_\_\_\_\_

Address: \_\_\_\_\_

Address: \_\_\_\_\_

City: \_\_\_\_\_

City: \_\_\_\_\_

State: \_\_\_\_\_ Zip: \_\_\_\_\_

State: \_\_\_\_\_ Zip: \_\_\_\_\_

Tel: \_\_\_\_\_ Fax: \_\_\_\_\_

Tel: \_\_\_\_\_ Fax: \_\_\_\_\_

E-mail: \_\_\_\_\_

E-mail: \_\_\_\_\_

DATE	PO#	FOB	SHIP DATE	SHIP VIA	TERMS	PPD	COLLECT

QTY.	PART NO.	DESCRIPTION	UNIT PRICE	TOTAL

DANUSER DIRECT     DANUSER SALES REP \_\_\_\_\_

COMMENTS: \_\_\_\_\_  
\_\_\_\_\_  
\_\_\_\_\_

Subtotal	
Discount	
Freight	
Total	